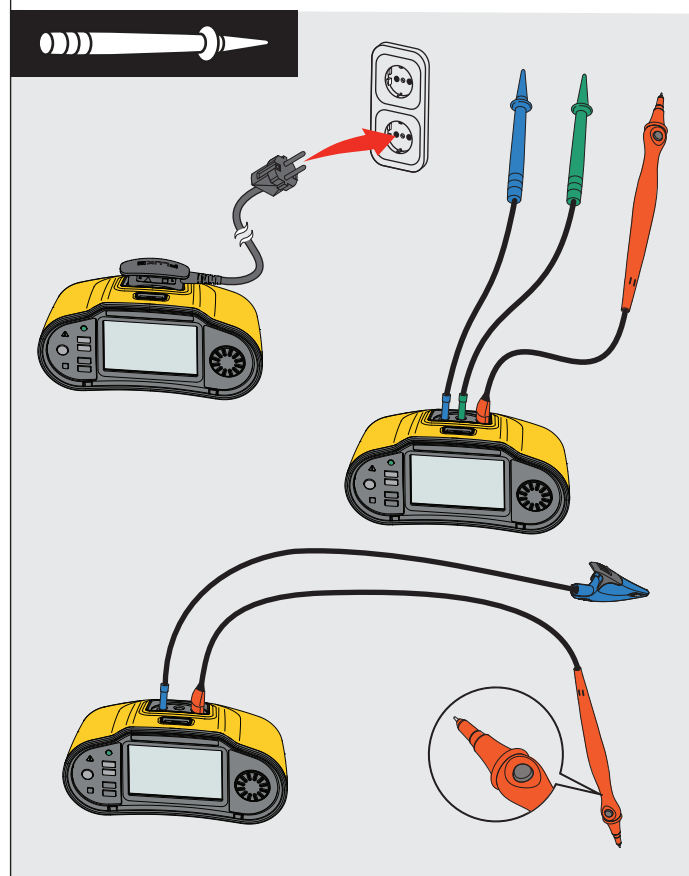
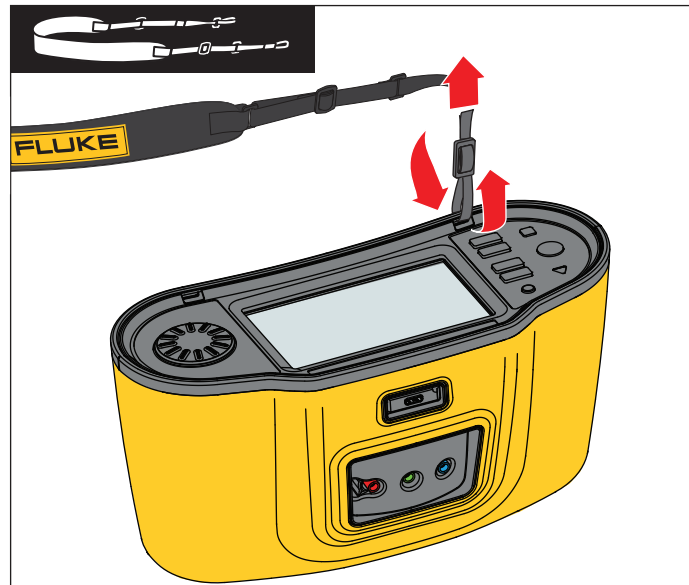
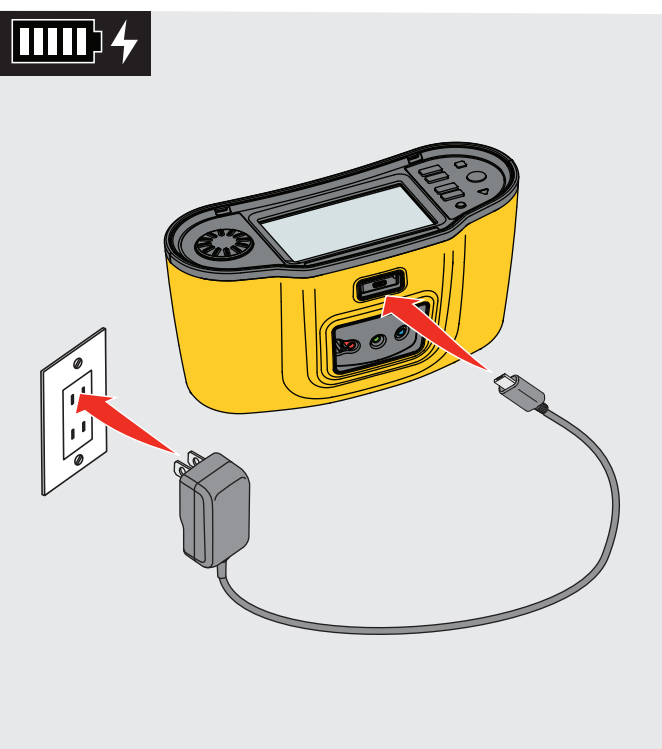
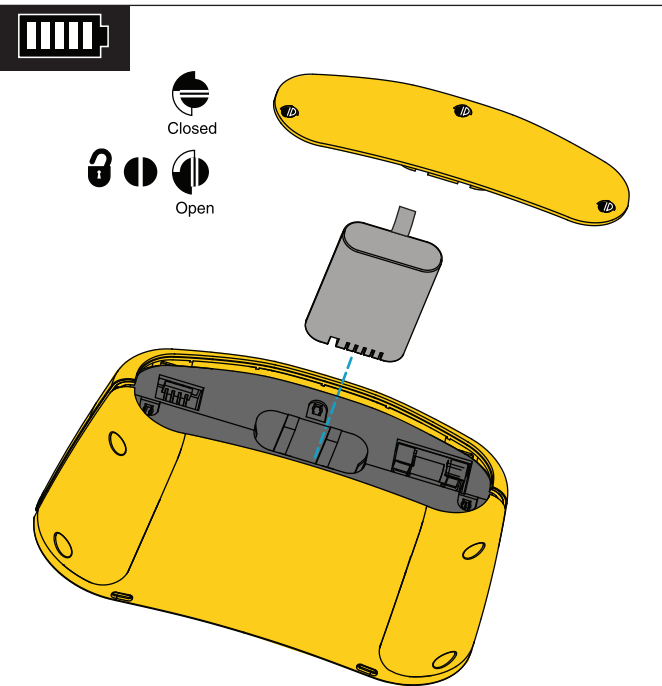


QRG

FLUKE

1672/1673 FC/1674 FC Multifunction Tester

www.fluke.com



1

2024 May, 14 09:50 MEM: 84%

MainMenu>DeviceSettings>SystemSettings>Display

Display Orientation 0 180

Screen Type Grid **Dynamic**

Display brightness 10% 100%

2

Vac R_{LO} R_{ISO} Z₁ Z₂

I_{ΔN} I_{ΔT} R_e Phase SPD

IMD ΔV Auto Test

Loop Trip

13, May 2024 17:51 MEM: 85%

Functions Form Loop No Trip No limit

L-PE

Zmax OFF 0.1 Vac 227.1 Vac VL - 50V

ZERO Mode OFF 227.0 Vac

Z I-pe PEFC Ik: 161 A Z I-tr: 139.0 PSC Ik: 171 A Re: 0.1 Ω

1.41 Ω

3

Vac R_{LO} R_{ISO} Z₁

13, May 2024 17:50 MEM: 85%

Functions Form Voltage No limit

L-PE

0.1 Vac 227.7 Vac

227.7 Vac

L-N L-PE

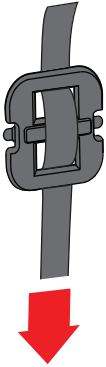
0.1v 227.7v 227.7v

49.97 Hz

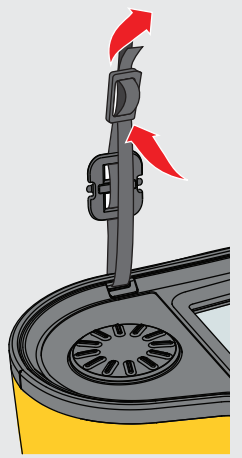


OPTIONAL

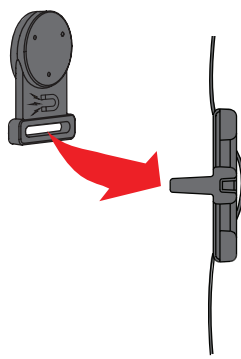
1



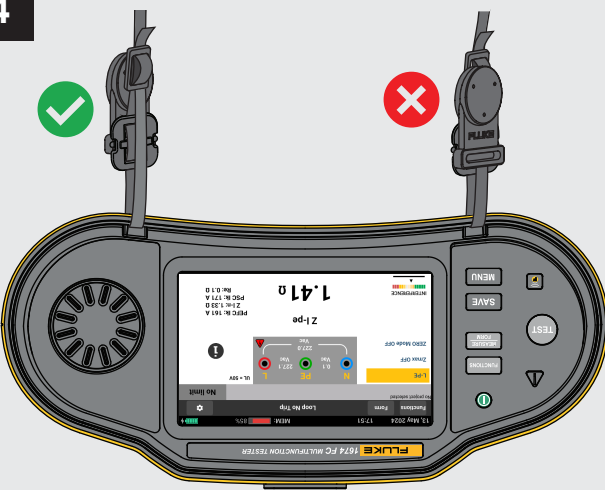
2



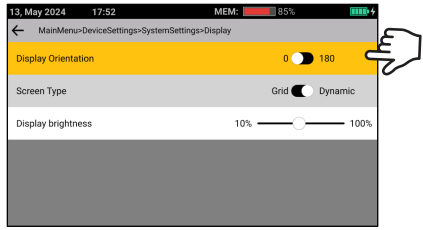
3



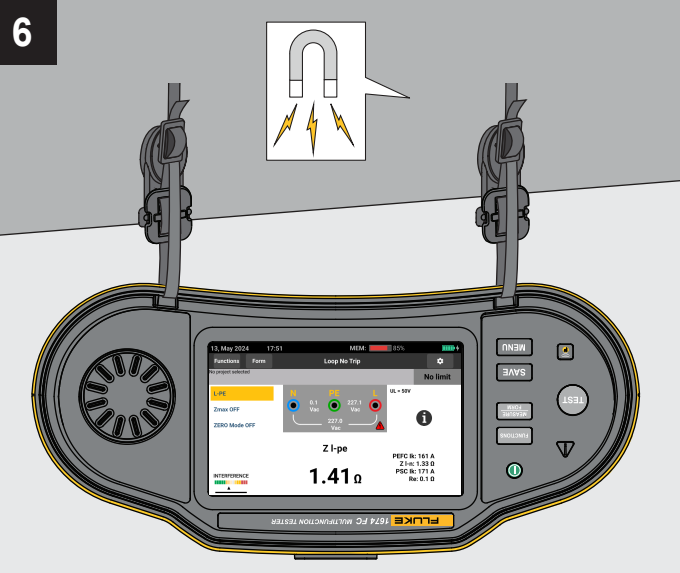
4



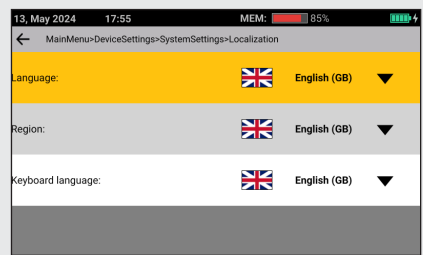
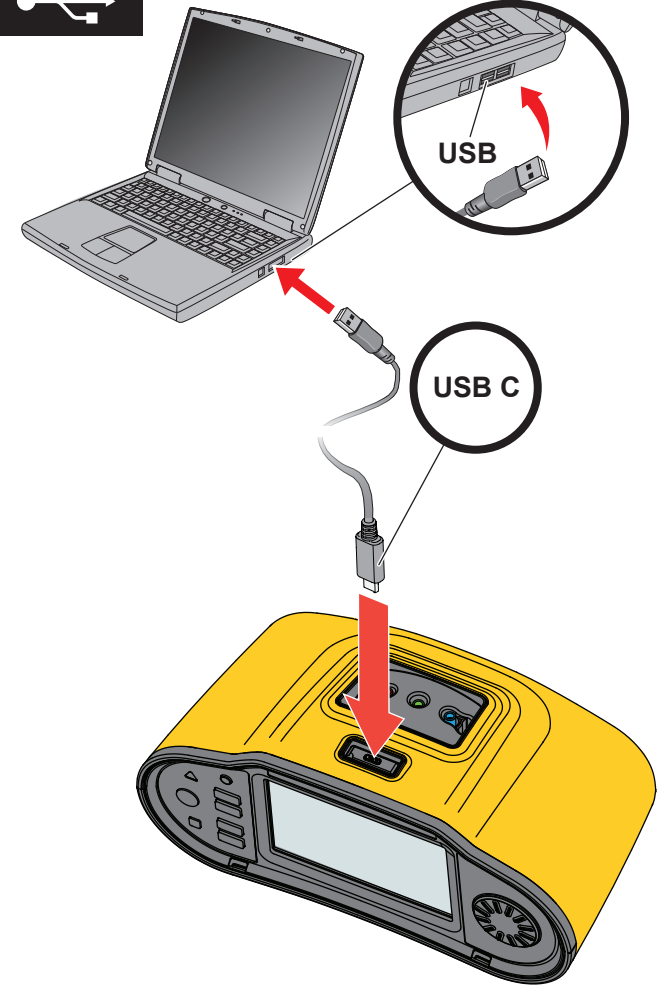
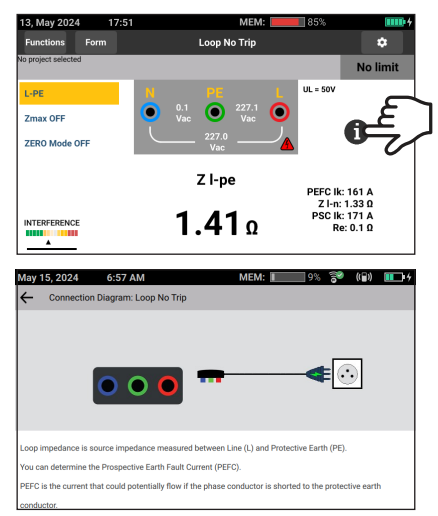
5



6



i



1673 FC/1674 FC

1



2

